

6063-T5 Primary Aluminum Corner Joint with Sandblasted Surface and Customizable Height for Windows and Doors

Our Product Introduction

for more products please visit us on aluminum-windowhardware.com

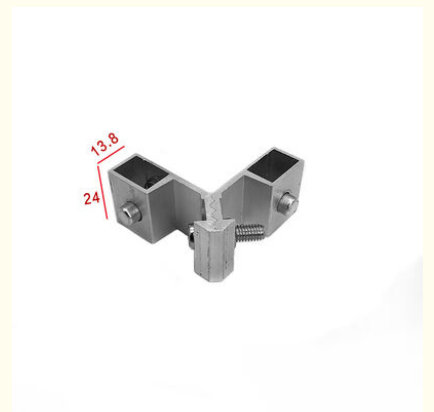
Basic Information

- Place of Origin: China,GUA
- Brand Name: XUANQING
- Minimum Order Quantity: 500
- Price: \$0.25-0.28

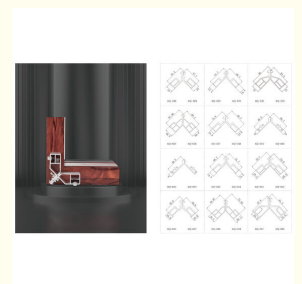
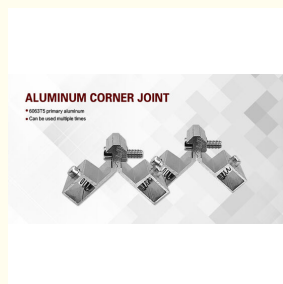
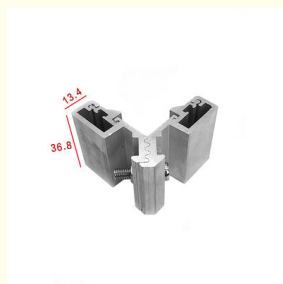


Product Specification

- Warranty: 1 Year
- After-sale Service: Online Technical Support, Onsite Training, Onsite Inspection, Free Spare Parts, Return And Replacement
- Project Solution Capability: Graphic Design, Total Solution For Projects
- Application: Hotel,home,office
- Design Style: Modern, Modern
- Type: N/M, Window Accessories
- Product Name: Aluminum Corner Joint
- Material: 6063-T5 Primary Aluminum
- Color: Primary Colors
- Usage Scenarios: Aluminum Profile Doors And Windows
- Function: Connecting The Corner Of The Door Or Window Spelling
- Feature: Durable And Solid
- Packing: Carton Box



More Images



Products Description

ALUMINUM CORNER JOINT

- 6063T5 primary aluminum
- Can be used multiple times

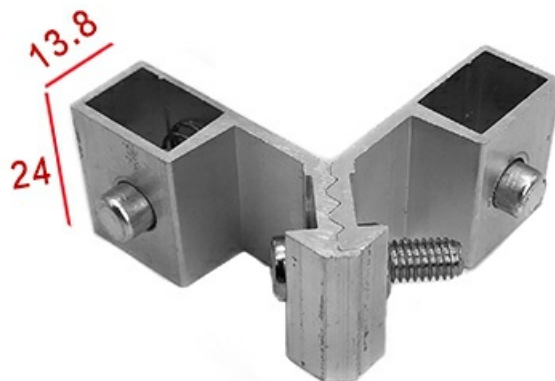


ALUMINUM CORNER JOINT

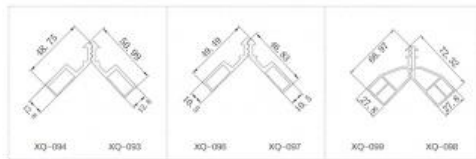
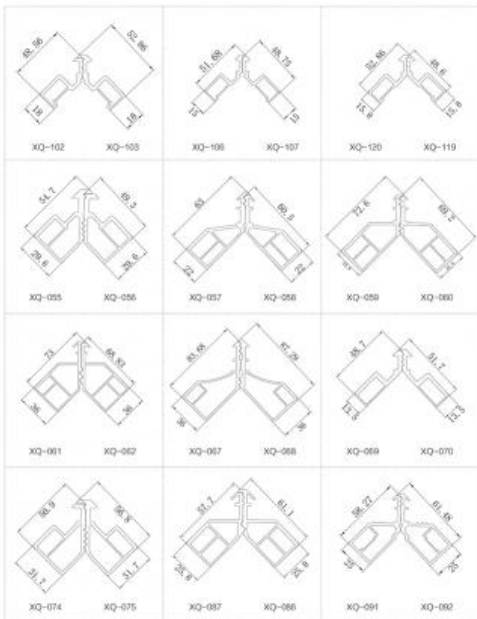
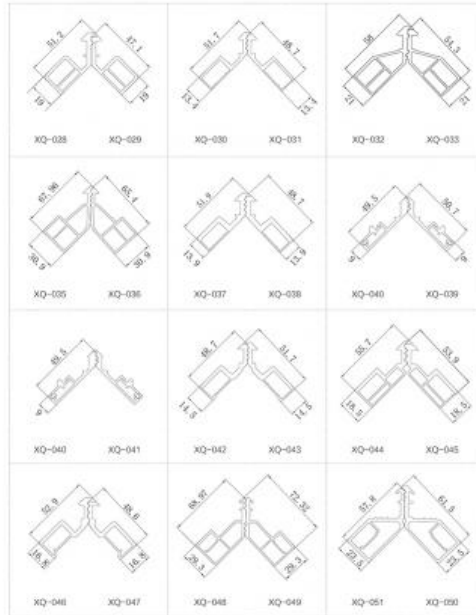
Xuanqing door and window angle code, professional production and manufacture of aluminum angle code for 12 years, the production of angle code involves 98% of the width of the aluminum profile on the market.

Support mold customization

Product name	Aluminum Corner Joint
Material	6063-T5 primary aluminum
Usage Scenarios	Used for all kinds of aluminum or UPVC casement, swing sliding windows or doors, French doors and windows, hinged doors and windows
Packing	1、 No special requirements, 500pcs/carton. 2、 Or according to customer's requirement.
Services	OEM, ODM services are available. Free samples are available.
Payment Method	30% T/T deposit in advanced,70%T/T balance before shipment.
Delivery time	Usually within 25 days



Product Parameters



HEIGHT

Customizable Unit mm)

10.8	11.5	12	12.8	14.3	15
15.3	16.3	17	17.6	18	18.6
19.5	20.6	21.6	22.6	23.4	24.6
25.6	26.6	27.3	28.6	29.6	30.6
31.6	32.6	33.6	34.9	Support mold customization	

Company Profile



Foshan Xuanqing Door and Window Accessories Co., Ltd. is a manufacturer of door and window accessories aluminum corner code customization, research, development, manufacturing, sales as one of the innovative enterprises in science and technology, our products are: 1, one expansion injection corner code, 2, center column injection corner code, 3, pin injection corner code, 4, bump corner injection corner code, 5, very narrow corner code, 6, non-injection corner code, 7, movable corner code, universal corner code, 8, Anti-fall device, 9, elevator, 10, hinge, 11, curtain wall pendant and more than ten types of products.

With the development and innovation of the market, in order to meet the market system window and door profile structure, we provide support for mold customization, one-stop solutions, Xuanqing angle code for ten years as one day, has been in the door and window accessories industry deep plowing, professional, focused, dedicated.

The company has always taken "integrity management, win-win cooperation" as the development concept, the pursuit of quality, innovation, focus on investment, the company has more than twenty patented products, a number of products through the national standard aluminum and quality supervision and inspection. In addition to meet the domestic market demand, we also export to some European, American and other countries, are recognized.

Xuanqing doors and windows accessories ten years focus on engineering - system doors and windows aluminum angle code support mold customization to provide you with one-stop solution services

SOME HONORS





No special requirements for packaging, 500 pieces in a box.
If there are other requirements, packaging can be done according to customer requirements.



Delivery Method

For small order volumes, we can send to you by courier, TNT, DHL, UPS or EMS etc. For large order volumes, we will recommend you to use air or sea freight, through your appointed freight forwarder or our long term partner agent. In case of large volume, the shipping cost will be paid by yourself.

FAQ

1. Is your company a factory or a trading company?

We are a factory. Our company was established in 2014.

2. How can I get samples to check your quality?

After the price is confirmed, you can ask for a sample to check our quality. If you just need a blank sample to check the design and paper quality, we will provide the sample to you for free, as long as you can afford the delivery fee.

3. How long does the whole process take?

For non-molded custom products, the production and processing time is about 3-10 days after you place your order. We need 1 day to prepare everything, and then 2-10 days to produce.

For open-molded custom products, the production processing time is about 15 days after you place your order.

4. When will I get a price?

We usually quote within 24 hours after we receive your inquiry. If you really want a price, please let us know, tell us in your email, or add us to your WeChat inquiry so that we can prioritize your inquiry.

5. What is the minimum order quantity?

MOQ = 100 pieces, better price and more quantity.

6. How does your factory do quality control?

Quality is a priority, our staff takes quality control very seriously from the beginning and each product is checked before it is packed.



Foshan Xuanqing Zhilian Technology Co., LTD



+8613827792344



fsxuanqing@gmail.com



aluminum-windowhardware.com

Guangdong Foshan Nanhai No. 5-1, Songgang Lianbiao Industrial Zone, Shishan Town