

6063-T5 Primary Aluminum Height Adjustable Easy-Install Aluminum Corner Joint for Modern Window and Door Frames

Our Product Introduction

for more products please visit us on aluminum-windowhardware.com

Basic Information

- Place of Origin: China,GUA
- Brand Name: XUANQING
- Minimum Order Quantity: 500
- Price: CN¥1.58-2.06



Product Specification

- Warranty: 1 Year, 1 Years
- After-sale Service: Online Technical Support, Onsite Training, Onsite Inspection, Free Spare Parts, Return And Replacement, Online Technical Support, Onsite Training, Onsite Inspe
- Project Solution Capability: Graphic Design, Total Solution For Projects
- Application: Hotel,home,office
- Design Style: Modern
- Type: N/M
- Product Name: Aluminum Corner Joint
- Material: 6063-T5 Primary Aluminum
- Color: Primary Colors
- Usage Scenarios: Aluminum Profile Doors And Windows
- Function: Connecting The Corner Of The Door Or Window Spelling
- Feature: Durable And Solid



More Images



Products Description

ALUMINUM CORNER JOINT

- 6063T5 primary aluminum
- Can be used multiple times



ALUMINUM CORNER JOINT

The new generation of expandable aluminum corner code for doors and windows, the middle of the corner code is connected with plastic parts or stainless steel strips, and the screws are tightened while the aluminum corner code expands to both sides so that the corner code fills the cavity of the aluminum profile.

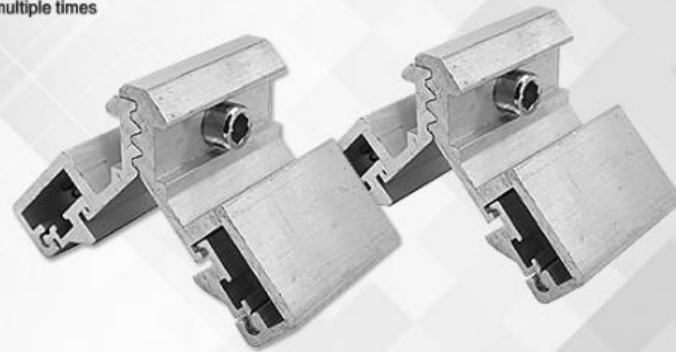
Support mold customization

Installation Instructions

Product Parameters

ALUMINUM CORNER JOINT

- 6063T5 primary aluminum
- Can be used multiple times



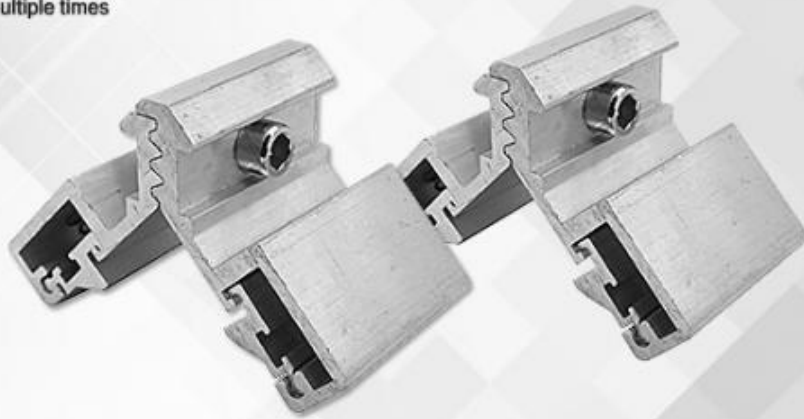


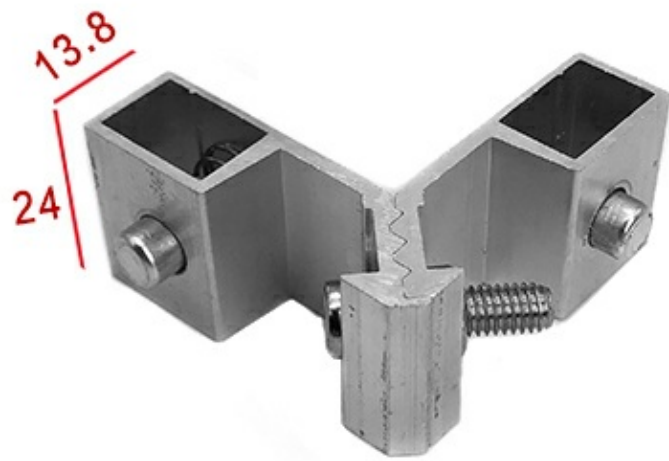
XQ-028	XQ-029	XQ-030	XQ-031	XQ-032	XQ-033
XQ-035	XQ-036	XQ-037	XQ-038	XQ-040	XQ-039
XQ-040	XQ-041	XQ-042	XQ-043	XQ-044	XQ-045
XQ-046	XQ-047	XQ-048	XQ-049	XQ-051	XQ-050

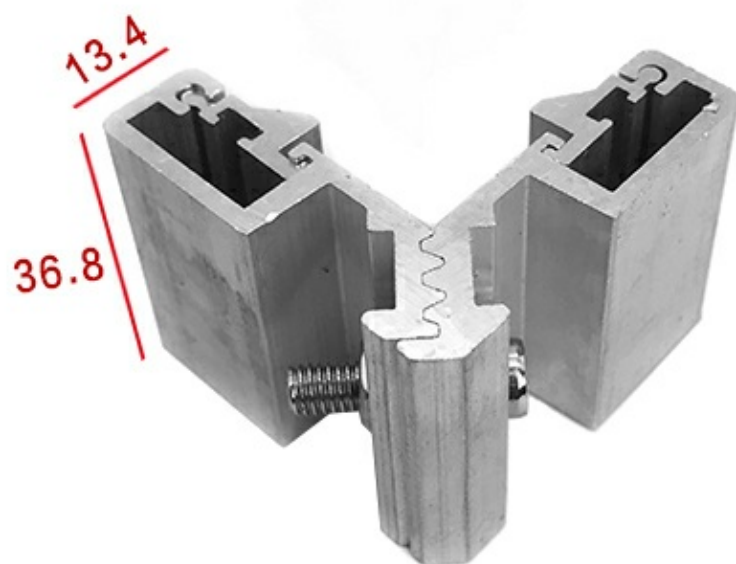


ALUMINUM CORNER JOINT

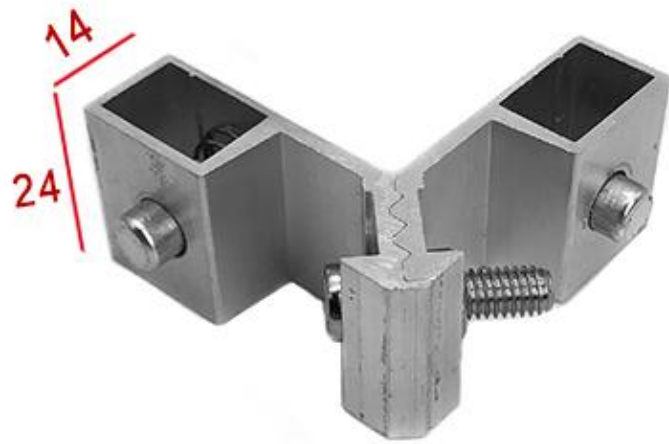
- 6063T5 primary aluminum
- Can be used multiple times















Company Profile





Foshan Xuanqing Door and Window Accessories Co., Ltd. is a manufacturer of door and window accessories aluminum corner code customization, research, development, manufacturing, sales as one of the innovative enterprises in science and technology, our products are: 1, one expansion injection corner code, 2, center column injection corner code, 3, pin injection corner code, 4, bump corner injection corner code, 5, very narrow corner code, 6, non-injection corner code, 7, movable corner code, universal corner code, 8, Anti-fall device, 9, elevator, 10, hinge, 11, curtain wall pendant and more than ten types of products.

With the development and innovation of the market, in order to meet the market system window and door profile structure, we provide support for mold customization, one-stop solutions, Xuanqing angle code for ten years as one day, has been in the door and window accessories industry deep plowing, professional, focused, dedicated.

The company has always taken "integrity management, win-win cooperation" as the development concept, the pursuit of quality, innovation, focus on investment, the company has more than twenty patented products, a number of products through the national standard aluminum and quality supervision and inspection. In addition to meet the domestic market demand, we also export to some European, American and other countries, are recognized.

Xuanqing doors and windows accessories ten years focus on engineering - system doors and windows aluminum angle code support mold customization to provide you with one-stop solution services

SOME HONORS



Packing & Delivery





No special requirements for packaging, 500 pieces in a box.
If there are other requirements, packaging can be done according to customer requirements.



Delivery Method

For small order volumes, we can send to you by courier, TNT, DHL, UPS or EMS etc.
For large order volumes, we will recommend you to use air or sea freight, through your appointed freight forwarder or our long term partner agent.
In case of large volume, the shipping cost will be paid by yourself.

FAQ

1. Is your company a factory or a trading company?

We are a factory. Our company was established in 2014.

2. How can I get samples to check your quality?

After the price is confirmed, you can ask for a sample to check our quality. If you just need a blank sample to check the design and paper quality, we will provide the sample to you for free, as long as you can afford the delivery fee.

3. How long does the whole process take?

For non-molded custom products, the production and processing time is about 3-10 days after you place your order. We need 1 day to prepare everything, and then 2-10 days to produce.

For open-molded custom products, the production processing time is about 15 days after you place your order.

4. When will I get a price?

We usually quote within 24 hours after we receive your inquiry. If you really want a price, please let us know, tell us in your email, or add us to your WeChat inquiry so that we can prioritize your inquiry.

5. What is the minimum order quantity?

MOQ = 500 pieces, better price and more quantity.

6. How does your factory do quality control?

Quality is a priority, our staff takes quality control very seriously from the beginning and each product is checked before it is packed.

